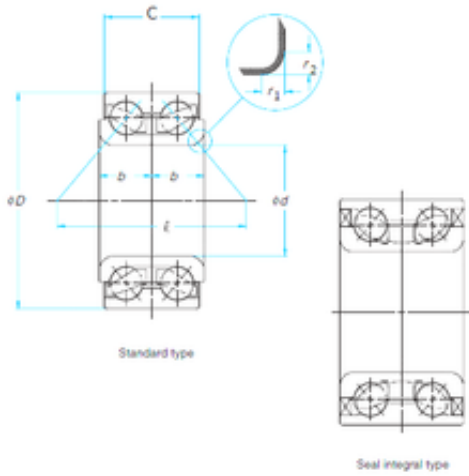




# Bearing Manufacturing of America



40 mm x 75 mm x 37 mm 40 mm x 75 mm x 37 mm CYSD DAC4075037 angular contact ball bearings

Bearing No. DAC4075037

Size	40x75x37 mm
Bore Diameter	40 mm
Outer Diameter	75 mm
Width	37 mm
d	40 mm
D	75 mm
B	37 mm
C	37 mm

DAC4075037 Bearing 2D drawings and 3D CAD models