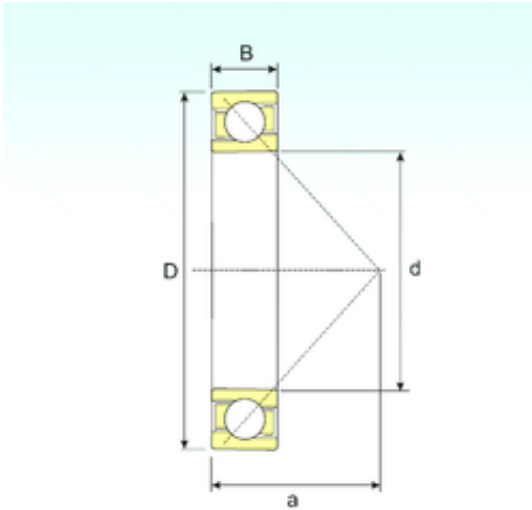




Bearing Manufacturing of America



260 mm x 360 mm x 46 mm 260 mm x 360 mm
x 46 mm ISB 71952 A angular contact ball bearings

Bearing No. 71952 A

Size	260x360x46 mm
Bore Diameter	260 mm
Outer Diameter	360 mm
Width	46 mm
d	260 mm
D	360 mm
B	46 mm
C	46 mm
a	113 mm
Weight	13,5 Kg
Basic dynamic load rating (C)	242 kN
Basic static load rating (C0)	260 kN
(Grease) Lubrication Speed	900 r/min

71952 A Bearing 2D drawings and 3D CAD models