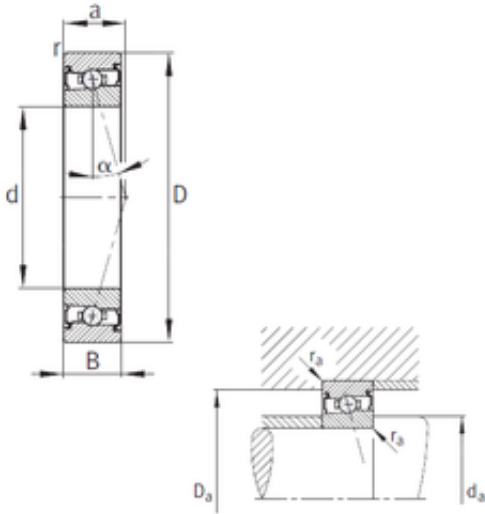




Bearing Manufacturing of America



55 mm x 90 mm x 18 mm 55 mm x 90 mm x 18 mm FAG HCS7011-C-T-P4S angular contact ball bearings

Bearing No. HCS7011-C-T-P4S

| | |
|-------------------------------|--------------|
| Size | 55x90x18 mm |
| Bore Diameter | 55 mm |
| Outer Diameter | 90 mm |
| Width | 18 mm |
| d | 55 mm |
| D | 90 mm |
| B | 18 mm |
| C | 18 mm |
| Angle (°) | 15 ° |
| a | 19 mm |
| r min. | 1,1 mm |
| Da | 83 mm |
| ra max. | 1 mm |
| da | 62 mm |
| Weight | 0,348 Kg |
| Basic dynamic load rating (C) | 13 kN |
| Basic static load rating (C0) | 13,2 kN |
| (Grease) Lubrication Speed | 22 000 r/min |

HCS7011-C-T-P4S Bearing 2D drawings and 3D CAD models