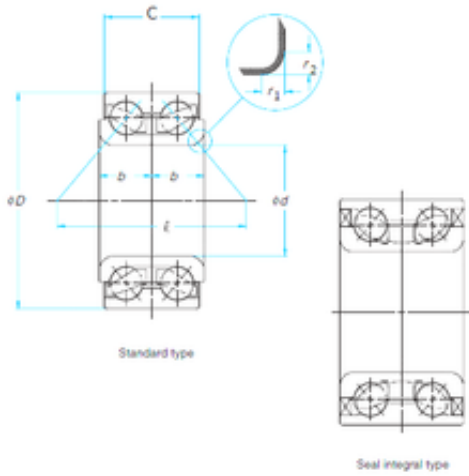




Bearing Manufacturing of America



39 mm x 68 mm x 37 mm 39 mm x 68 mm x 37 mm FAG SAB38 angular contact ball bearings

Bearing No. SAB38

Size	39x68x37 mm
Bore Diameter	39 mm
Outer Diameter	68 mm
Width	37 mm
d	39 mm
D	68 mm
B	37 mm
C	37 mm

SAB38 Bearing 2D drawings and 3D CAD models