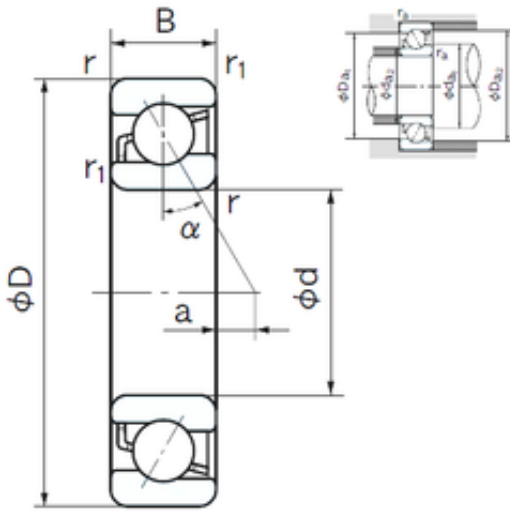




## Bearing Manufacturing of America



7001 Bearing 2D drawings and 3D CAD models

12 mm x 28 mm x 8 mm 12 mm x 28 mm x 8 mm NACHI 7001 angular contact ball bearings

Bearing No. 7001

Size	12x28x8 mm
Bore Diameter	12 mm
Outer Diameter	28 mm
Width	8 mm
d	12 mm
D	28 mm
B	8 mm
C	8 mm
Angle ( ° )	30 °
a	1.7 mm
r min.	0.3 mm
r1 min.	0.15 mm
da min.	14 mm
Da max.	26 mm
ra max.	0.3 mm
Weight	0.024 Kg
Basic dynamic load rating (C)	5,05 kN
Basic static load rating (C0)	2,71 kN
(Grease) Lubrication Speed	22000 r/min
Configuration	Single Row
Enclosure	Open
Bore Type	Cylindrical Bore
Bore Size	12 mm
Outside Diameter	28 mm
Width	8 mm



## Bearing Manufacturing of America

Fillet Radius/Chamfer	0.3 mm
r1	0.2 mm
Dynamic Load Rating	5,050 N
Static Load Rating	2,710 N
Limiting Speed - Grease	22,000 rpm
Limiting Speed - Oil	29,000 rpm
da1 (min)	14 mm
da2 (min)	14 mm
Da1 (max)	26 mm
Da2 (max)	27 mm
ra (max)	0.3 mm
ra1 (max)	0.2 mm