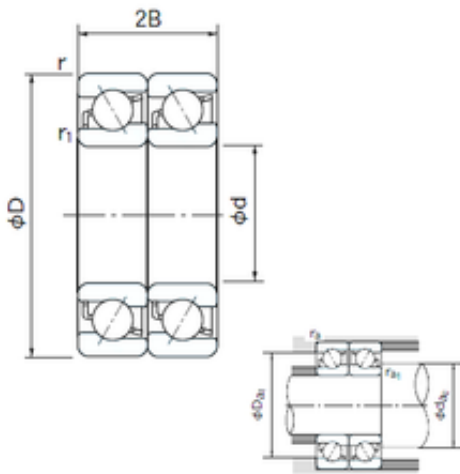




Bearing Manufacturing of America



7324BDT Bearing 2D drawings and 3D CAD models

120 mm x 260 mm x 55 mm 120 mm x 260 mm
x 55 mm NACHI 7324BDT angular contact ball
bearings

Bearing No. 7324BDT

Size	120x260x55 mm
Bore Diameter	120 mm
Outer Diameter	260 mm
Width	55 mm
d	120 mm
D	260 mm
B	55 mm
C	55 mm
Angle (°)	40 °
a	52.2 mm
r min.	3 mm
r1 min.	1.1 mm
2B	110 mm
da min.	127 mm
Da max.	253 mm
ra max.	1 mm
Weight	14.2 Kg
Basic dynamic load rating (C)	400 kN
Basic static load rating (C0)	505 kN
(Grease) Lubrication Speed	1700 r/min
Bore Type	Cylindrical Bore
Enclosure	Open
Configuration	Duplex
Bore Size	120 mm



Bearing Manufacturing of America

Outside Diameter	260 mm
Width	55 mm
Fillet Radius/Chamfer	3 mm
r1	1.1 mm
Dynamic Load Rating	400,000 N
Static Load Rating	505,000 N
Limiting Speed - Grease	1,700 rpm
Limiting Speed - Oil	2,200 rpm
da1 (min)	134 mm
da2 (min)	127 mm
Da1 (max)	246 mm
Da2 (max)	253 mm
ra (max)	2.5 mm
ra1 (max)	1 mm