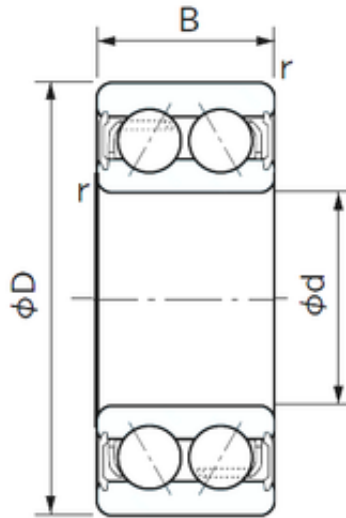




Bearing Manufacturing of America



12 mm x 32 mm x 15.9 mm 12 mm x 32 mm x 15.9 mm NACHI 5201A-2NS angular contact ball bearings

Bearing No. 5201A-2NS

Size	12x32x15.9 mm
Bore Diameter	12 mm
Outer Diameter	32 mm
Width	15.9 mm
d	12 mm
D	32 mm
B	15.9 mm
C	15.9 mm
r min.	0.6 mm
Weight	0.060 Kg
Basic dynamic load rating (C)	10,3 kN
Basic static load rating (C0)	5,65 kN
(Grease) Lubrication Speed	15000 r/min
Enclosure	Double Seal
Configuration	Double Row
Bore Type	Cylindrical Bore
Bore Size	12 mm
Outside Diameter	32 mm
Width	15.9 mm
Fillet Radius/Chamfer	0.6 mm
Dynamic Load Rating	10,300 N
Static Load Rating	5,650 N
Limiting Speed - Oil	15,000 rpm
Radial Clearance	0.003 to 0.018 mm

5201A-2NS Bearing 2D drawings and 3D CAD models



Bearing Manufacturing of America

da	17 mm
Da	27 mm
ra	0.6 mm